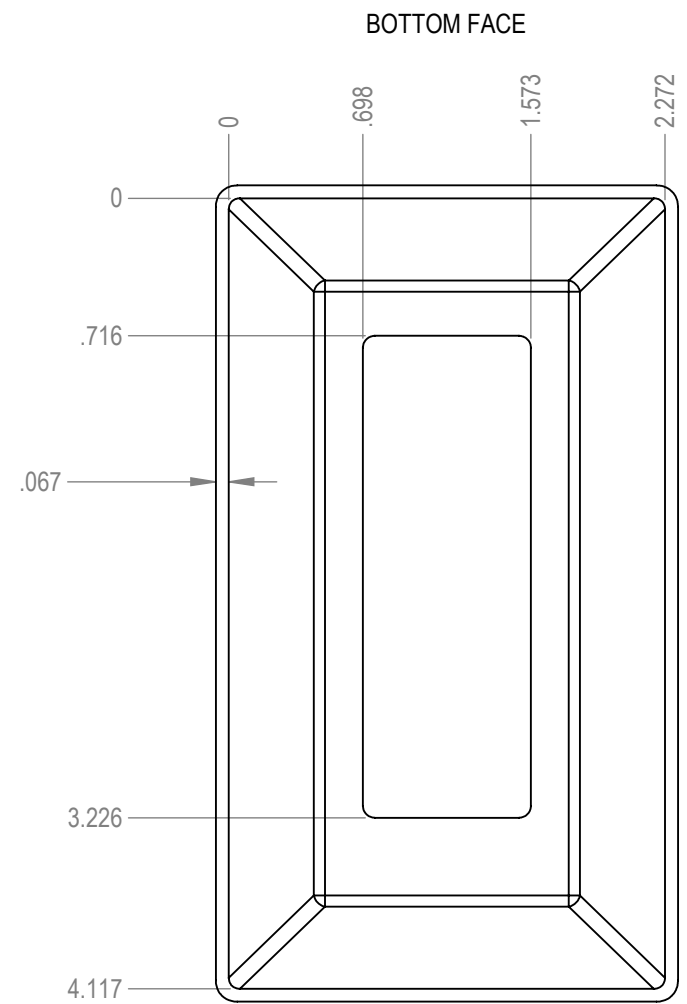
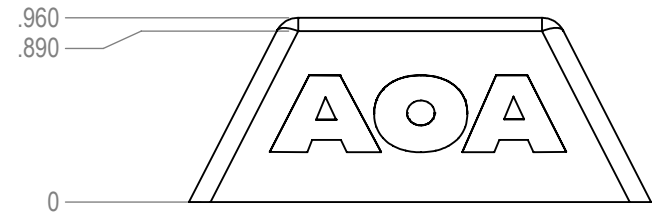
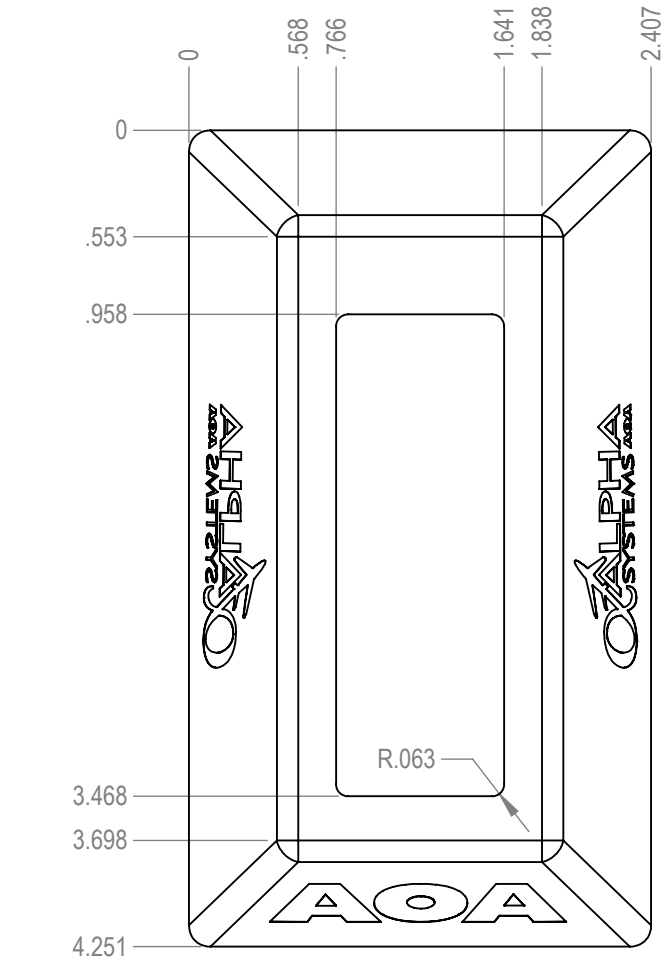
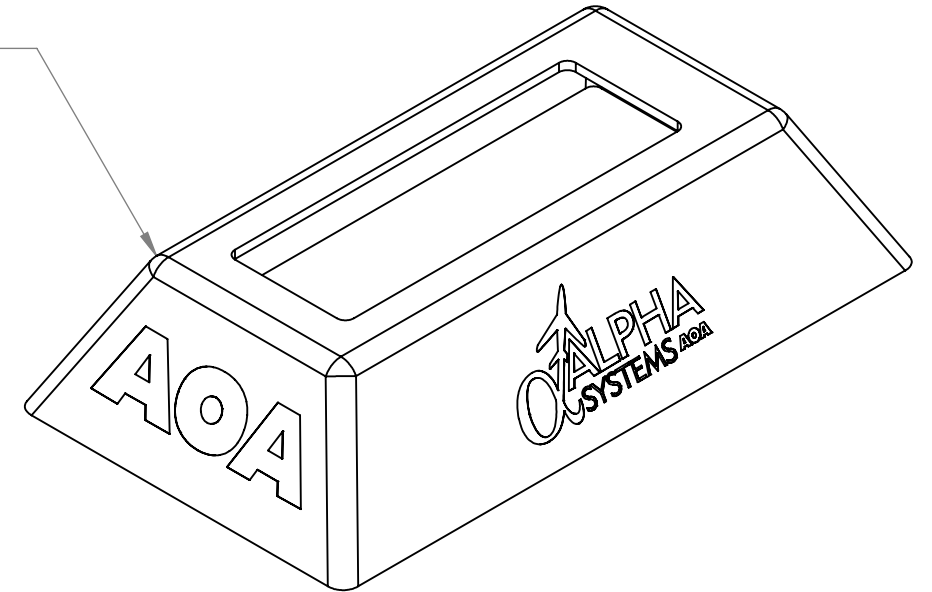


REV.	DESCRIPTION	DATE	DRAWN
A	INITIAL DESIGN	3/14/2019	BJS



ALL TOP & SIDE EDGES
TRUE R.125



<small>UNLESS OTHERWISE SPECIFIED: UNITS ARE IN INCHES AND TOLERANCES ON DIMENSIONS ARE IN INCHES .X = ±.03 .XX = ±.01 .XXX = ±.005 DEG. = ±1° X/X = ± 1/16</small>	DRAWN: BJS	PROJECT: AOA TOP HUD BEZEL MOUNT	SHEET:
	DATE: 8/29/2019	TITLE:	
	SCALE: 1	AOA-9093 (HUD Above Dash Dome)	
	SIZE: B	PART #	REV:
	QUANTITY: 1		A
<small>PROPRIETARY AND CONFIDENTIAL THE INFORMATION CONTAINED IN THIS DRAWING IS THE SOLE PROPERTY OF DEPOTSTAR. ANY REPRODUCTION IN PART OR AS A WHOLE WITHOUT THE WRITTEN PERMISSION OF DEPOTSTAR IS PROHIBITED.</small>	MATERIAL: KYDEX		

FILE PATH: P:\Operations\DepotStar\Alpha Systems AOA\Engineering_2013_Production\AOA-9000 Series Legacy\HUD Bezel Dome\